

Position switch Plastic enclosure according to EN 50047, 31 mm
 Device connection 1 x (M20 x 1.5) 1 NO/1 NC quick action contacts
 integrated (not replaceable) adjustable-length twist lever right/left
 adjustable with plastic roller 19 mm



| | |
|--------------------------------------|--|
| Product brand name | SIRIUS |
| Product designation | Mechanical position switches |
| Product type designation | 3SE5 |
| Manufacturer's article number | <ul style="list-style-type: none"> • of the supplied basic switch 3SE5232-0HC05 • of the supplied actuator head for position switches 3SE5000-0AK00 • of the supplied operating lever 3SE5000-0AA50 |
| Suitability for use safety switch | No |

| General technical data | |
|--|--------------|
| Product function | No |
| <ul style="list-style-type: none"> • positive opening | |
| Insulation voltage | 400 V |
| <ul style="list-style-type: none"> • rated value | |
| Degree of pollution | class 3 |
| Surge voltage resistance rated value | 6 kV |
| Protection class IP | IP65 |
| Shock resistance | 30 g / 11 ms |
| <ul style="list-style-type: none"> • acc. to IEC 60068-2-27 | |

| | |
|---|--|
| Vibration resistance | |
| <ul style="list-style-type: none"> • acc. to IEC 60068-2-6 | 0.35 mm/5g |
| Mechanical service life (switching cycles) | |
| <ul style="list-style-type: none"> • typical | 15 000 000 |
| Electrical endurance (switching cycles) | |
| <ul style="list-style-type: none"> • at AC-15 at 230 V typical | 100 000 |
| Electrical endurance (switching cycles) with contactor 3RH11, 3RT1016, 3RT1017, 3RT1024, 3RT1025, 3RT1026 typical | 10 000 000 |
| Electrical operating cycles in one hour with contactor 3RH11, 3RT1016, 3RT1017, 3RT1024, 3RT1025, 3RT1026 | 6 000 |
| Thermal current | 10 A |
| Material of the enclosure of the switch head | plastic |
| Reference code acc. to DIN EN 81346-2 | B |
| Reference code acc. to DIN EN 61346-2 | B |
| Continuous current of the C characteristic MCB | 1 A; for a short-circuit current smaller than 400 A |
| Continuous current of the quick DIAZED fuse link | 10 A; for a short-circuit current smaller than 400 A |
| Continuous current of the DIAZED fuse link gG | 6 A |
| Active principle | mechanical |
| Repeat accuracy | 0.05 mm |
| Minimum actuating torque in activation direction | 0.25 N·m |
| Length of the sensor | 182 mm |
| Width of the sensor | 31 mm |
| Design of the switching contact | mechanical |
| Operating frequency rated value | 50 ... 60 Hz |
| Number of NC contacts for auxiliary contacts | 1 |
| Number of NO contacts for auxiliary contacts | 1 |
| Operating current at AC-15 | |
| <ul style="list-style-type: none"> • at 24 V rated value • at 120 V rated value • at 240 V rated value • at 400 V rated value | 6 A 6 A 6 A 4 A |
| Operating current at DC-13 | |
| <ul style="list-style-type: none"> • at 24 V rated value • at 125 V rated value • at 250 V rated value • at 400 V rated value | 3 A 0.55 A 0.27 A 0.12 A |
| Design of the interface for safety-related communication | without |
| Enclosure | |
| Design of the housing | block, narrow |
| Material of the enclosure | plastic |

| | |
|--|-------------|
| Coating of the enclosure | Other types |
| Design of the housing acc. to standard | Yes |

Drive Head

| | |
|---|--|
| Design of the operating mechanism | Adjustable twist lever, adjustable-length metal lever, 100 mm long, plastic roller 19 mm |
| Standard-compliant actuator head | EN 50047, design A |
| Shape of the switch head | roller |
| Circuit principle | snap-action contacts |
| Number of switching contacts safety-related | 0 |

Connections/ Terminals

| | |
|--|--|
| Type of electrical connection | screw-type terminals |
| Type of connectable conductor cross-sections | |
| <ul style="list-style-type: none"> • solid • finely stranded with core end processing • at AWG conductors solid • at AWG conductors stranded | 1x (0.5 ... 1.5 mm ²), 2x (0.5 ... 0.75 mm ²) 1x (0.5 ... 1.5 mm ²), 2x (0.5 ... 0.75 mm ²) 1x (20 ... 16), 2x (20 ... 18) 1x (20 ... 16), 2x (20 ... 18) |
| Cable entry type | 1x (M20 x 1.5) |

Communication/ Protocol

| | |
|-------------------------|---------|
| Design of the interface | without |
|-------------------------|---------|

Ambient conditions

| | |
|--|----------------------------------|
| Ambient temperature | |
| <ul style="list-style-type: none"> • during operation • during storage | -25 ... +85 °C -40 ... +90 °C |
| Explosion protection category for dust | none |

Installation/ mounting/ dimensions

| | |
|-------------------|--------------|
| Mounting position | any |
| Mounting type | screw fixing |

Certificates/ approvals

| | | |
|--------------------------|---------------------------------------|---------------------------|
| General Product Approval | Functional Safety/Safety of Machinery | Declaration of Conformity |
|--------------------------|---------------------------------------|---------------------------|



[Type Examination Certificate](#)



| | | |
|---------------------------|-------------------|-------|
| Declaration of Conformity | Test Certificates | other |
|---------------------------|-------------------|-------|

[Miscellaneous](#)

[Type Test Certificates/Test Report](#)

[Confirmation](#)

Further information

Information- and Downloadcenter (Catalogs, Brochures,...)

<https://www.siemens.com/ic10>

Industry Mall (Online ordering system)

<https://mall.industry.siemens.com/mall/en/en/Catalog/product?mlfb=3SE5232-0HK50>

Cax online generator

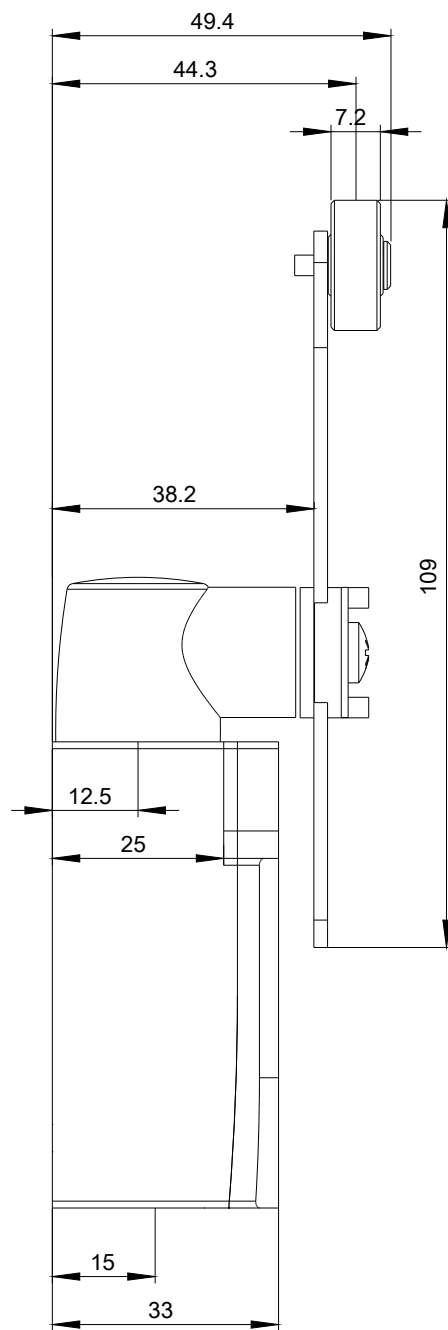
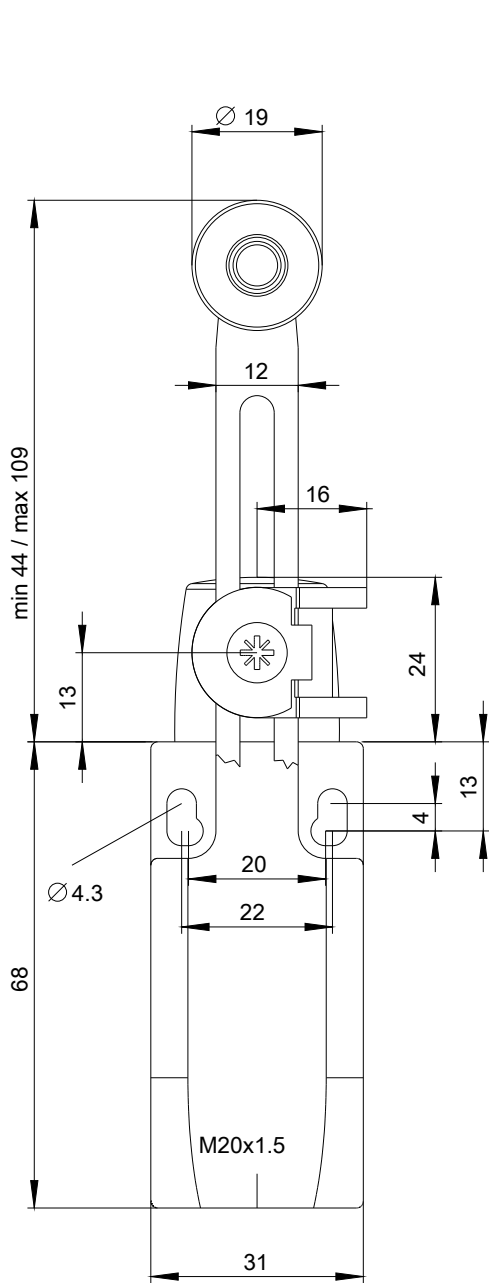
<http://support.automation.siemens.com/WW/CAXorder/default.aspx?lang=en&mlfb=3SE5232-0HK50>

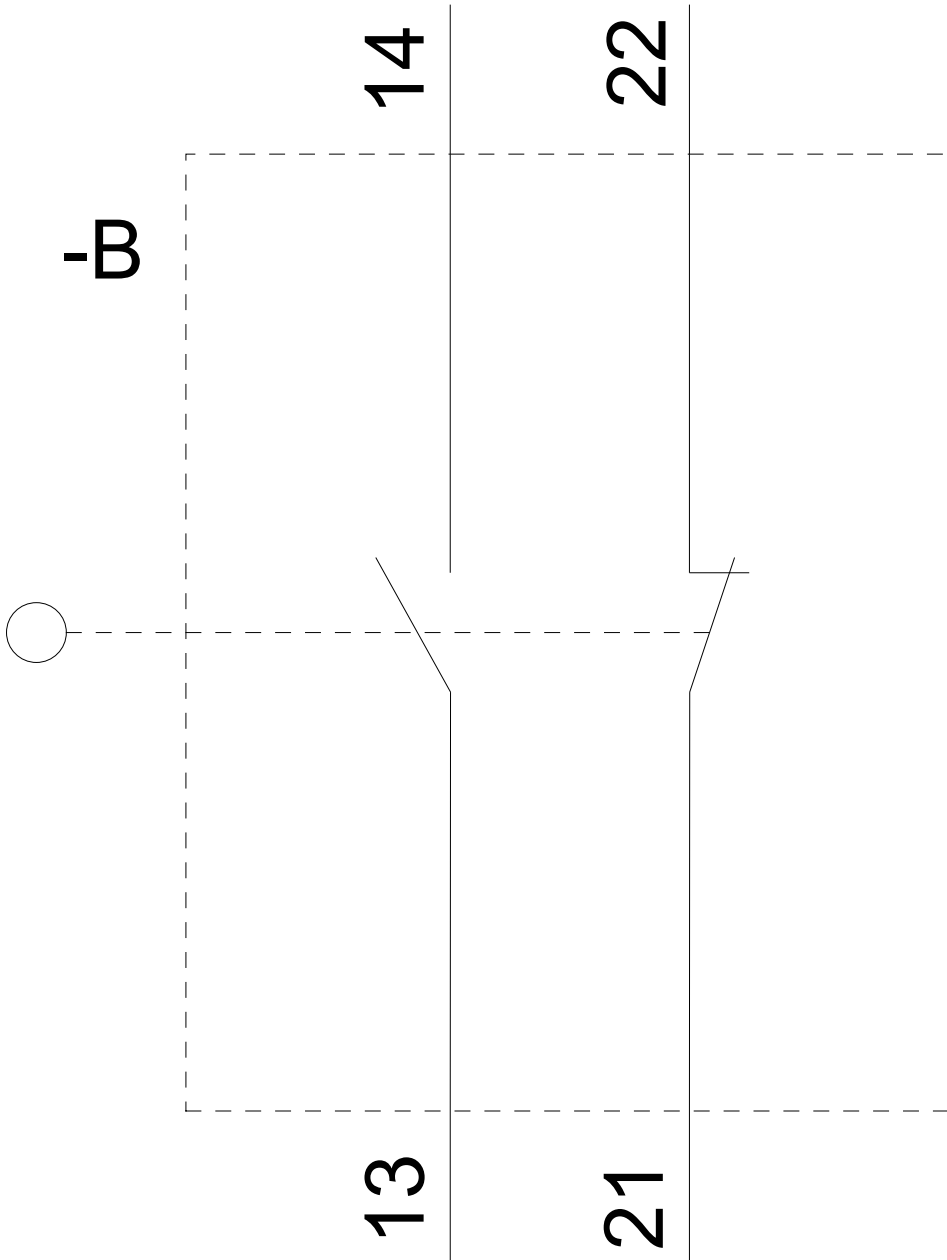
Service&Support (Manuals, Certificates, Characteristics, FAQs,...)

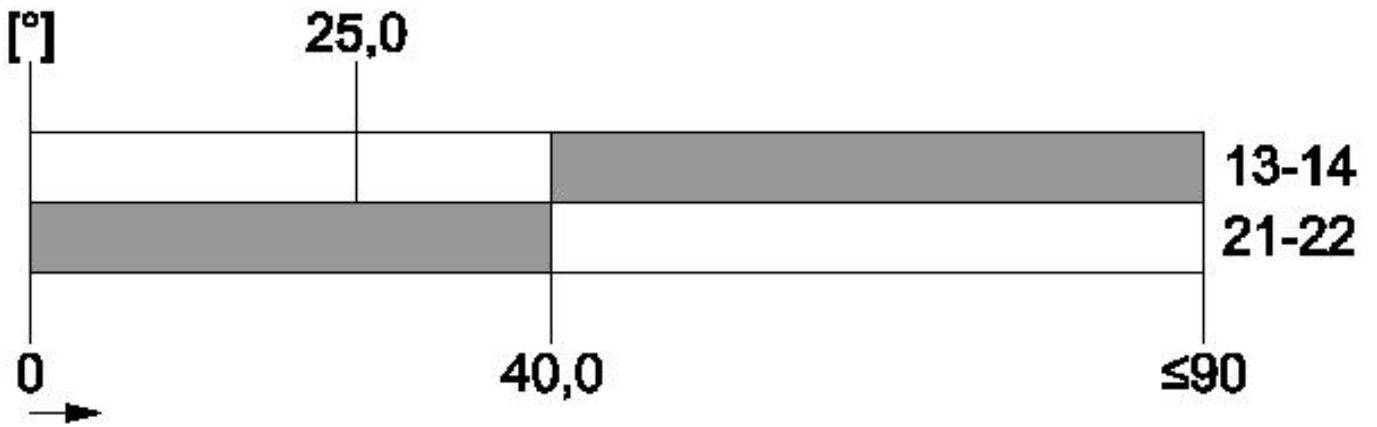
<https://support.industry.siemens.com/cs/ww/en/ps/3SE5232-0HK50>

Image database (product images, 2D dimension drawings, 3D models, device circuit diagrams, EPLAN macros, ...)

http://www.automation.siemens.com/bilddb/cax_de.aspx?mlfb=3SE5232-0HK50&lang=en







last modified:

08/05/2020